

KOMATSU®

FLYWHEEL HORSEPOWER
21.3 kW 29 HP @ 2500 rpm

OPERATING WEIGHT
2,740 kg 6,040 lb

WA30-5

Utility



WA
30-5



COMPACT WHEEL LOADER

UTILITY

World Class Komatsu Quality

35 years of experience and technology is manufactured into every wheel loader. Komatsu's ISO certification and critical quality control ensure that every wheel loader will satisfy the most demanding customer. From design to production, from sales to service, Komatsu means total quality.

Low Noise Operation

Sound suppression materials and air intake resonator are utilized in the engine area decreasing sound output which reduces operator stress and fatigue.

Hydrostatic Transmission

Speed and dynamic braking are controlled by a single pedal providing low effort machine operation. The forward/reverse lever is mounted within easy reach of the operator.

Automatic Bucket Leveler

After dumping the bucket, the Komatsu wheel loader system has automatic return-to-dig function that improves cycle times.

Easy Maintenance

Komatsu wheel loaders feature maintenance-free wet-disc brakes and easy opening engine covers to keep your operators productive and efficient.

Ergonomically Designed Operator Compartment

Outstanding visibility is achieved by positioning the operator above, not behind the load. This seating position allows the operator excellent bucket visibility for easy load placement. Dual entry and exit as well as conventional controls for ground drive and loader operations reduce operator fatigue and increase productivity.



Rear Axle Oscillation

The Komatsu wheel loaders superior design offers continuous tire contact and traction assist over rough terrain for an easy ride.

Superior Stability

A long wheelbase, wide tread and rear axle oscillation result in a comfortable and stable ride in load and carry applications.

ENGINE-EPA CERTIFIED

Model Komatsu 3D84E-3B
 Type Water cooled, 4-stroke cycle
 Aspiration Natural
 Number of cylinders 3
 Bore x stroke 84 mm x 86 mm **3.31" x 3.39"**
 Piston displacement 1.5 ltr. **91 cu. in.**
 Governor Mechanical
 Horsepower rating @ 2500 rpm
 Flywheel horsepower **21.3 kw 29 HP**
 Meets EPA emissions regulations
 Fuel system Direct Injection
 Lubrication system
 Method Gear pump, force-lubrication
 Filter Full-flow
 Air cleaner Dry-type with double elements
 & dust evacuator, plus dust indicator

TRANSMISSION

Drive Method Hydrostatic

Travel Speed*	Forward		Reverse	
	15.0 km/h	9.3 mph	15.0 km/h	9.3 mph

*Measured with 12.5/70-16-6 tires

AXLES AND FINAL DRIVES

Drive system Four wheel drive
 Front Fixed, semi-floating
 Rear Center-pin support
 semi-floating, 16° total oscillation
 Reduction gear Spiral bevel gear
 Final reduction gear Planetary gear, single reduction
 Oscillating Angle ± 16°

BRAKES

Service brake Hydraulically-activated, wet, sealed disc
 Parking brake Mechanically-activated, wet, sealed disc
 Tire size 12.5/70-16-6PR

STEERING SYSTEM

Type Full hydraulic power, center pivot steering
 Steering angle 40°
 Minimum turning radius at the
 center of outside tire 3060 mm **10'0"**

BOOM AND BUCKET

Z-bar loader linkage is designed for maximum rigidity and offers powerful breakout. Rap-out loader linkage design enables shock dumping for removing sticky materials.

BUCKET CONTROLS

Control positions
 Boom Raise, hold, lower & float
 Bucket Roll back, hold & dump

HYDRAULIC SYSTEM

Capacity (discharge flow) @ engine-rated rpm
 Loader pump 32 ltr/min **8.5 US gal/min**
 Auxiliary hydraulic 32 ltr/min **8.5 US gal/min**
 (Gear-type pumps)

Relief valve setting
 Loader 210 bar **2990 psi**

Control valve
 3-spool, open center type

Hydraulic cylinders
 Loader and steering Double-acting, piston

Hydraulic Cylinders	Number of Cylinders	Bore		Stroke	
		Boom	2	65 mm	2.6"
Bucket	1	60 mm	2.4"	367 mm	14.4"

Hydraulic cycle time (rated load in bucket)
 Raise 4.6 sec
 Dump 1.0 sec
 Lower (empty) 2.8 sec
 Rollback 1.4 sec
 Total cycle time 9.8 sec

SERVICE REFILL CAPACITIES

Cooling system 5.5 ltr. **1.3 US gal.**
 Fuel tank 42.0 ltr. **11.9 US gal.**
 Engine 4.7 ltr. **1.24 US gal.**
 Hydraulic reservoir 28.0 ltr. **7.4 US gal.**
 Axle (each, front and rear) 9.3 ltr. **1.4 US gal.**

Standard Equipment

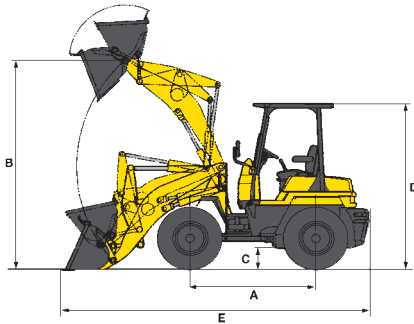
- Alarm, back-up
- Canopy, ROPS
- Directional signals
- Engine coolant temp. gauge
- Fuel gauge
- Head lights (two)
- Horn
- Hourmeter
- Hydraulic oil temp. gauge
- Rearview mirrors (two)
- Seat, adjustable
- Seat belt (3 in.)
- Tachometer
- Indicator Lights, for: battery, parking brake, engine pre-heat, engine oil pressure, hydraulic filter restriction

Optional Equipment

- Auxiliary hydraulics
- Mechanical front attachment coupler
- 66" Bucket
- 48" Pallet forks

WA30-5 Compact Wheel Loader

Dimensions



Standard tires	12.5/70-16-6PR	
Tread (Front and rear)	1180 mm	3'10"
Width over tires	1495 mm	4'11"
A Wheelbase	1750 mm	5'9"
B Hinge pin height, maximum height	2680 mm	8'10"
C Ground clearance	270 mm	10.6"
D Overall height, ROPS canopy	2460 mm	8'1"
E Overall length	4030 mm	13'3"

Bucket		Pin-on Bucket with Bolt-on Cutting Edge		Attachment Coupler with Bolt-on Cutting Edge		Attachment Coupler with 48" pallet forks	
Bucket capacity	SAE rated	0.4 m ³	.52 yd ³	.4 m ³	.52 yd ³	N/A	N/A
Bucket width		1575 mm	5'2"	1575 mm	5'2"	N/A	N/A
Bucket weight (48" Pallet fork weight)		387 kg	176 lb	214 kg	470 lb	(172 kg)	(378 lb)
Static tipping load	Straight	1948 kg	4,285 lb	1714 kg	3,771 lb	1234 kg	2,715 lb
	Full turn (40°)	1694 kg	3,727 lb	1491 kg	3,280 lb	1074 kg	2,363 lb
Operating capacity - 50% of full turn tipping load		847 kg	1,863 lb	796 kg	1,640 lb	537 kg	1,180 lb
Dump clearance, maximum height and 45° dump angle		2140 mm	7'0"	2140 mm	7'0"	N/A	N/A
Reach at maximum height and 45° dump angle		785 mm	2'7"	785 mm	2'7"	N/A	N/A
Operating height	Fully raised	3375 mm	11'1"	3375 mm	11'1"	N/A	N/A
Turning radius*		3210 mm	10'6"	3210 mm	10'6"	N/A	N/A
Digging depth	10°	150 mm	5.9"	150 mm	5.9"	N/A	N/A
Breakout force		2700 kg	5,950 lb	2700 kg	5,950 lb	N/A	N/A
Operating weight		2740 kg	6,040 lb	2818 kg	6,200 lb	2773 kg	6,100 lb

• All dimensions, weights, and performance values based on SAE J732c and J742b standards. Static tipping load and operating weight shown include 12.5/70-16-6PR tires, lubricant, coolant, full fuel tank, ROPS canopy, and operator. Machine stability and operating weight are affected by counterweight, tire size, and other attachments.

N/A - Not applicable

* Turning radius measured with bucket at carry position, outside corner of bucket.

This specification sheet may contain attachments and optional equipment that are not available in your area. Please contact your local Komatsu Utility Corporation distributor for those items you may require. Materials and specifications are subject to change without notice.

Form No. KUSS107-02

© 2001 Komatsu Printed in USA PLI (7.5M) PL

Printed in USA 0601

KOMATSU[®]

PO Box 8112 • Vernon Hills, IL 60061-8112
website: www.komatsuutility.com

